

Expression of Interest (EoI)

Restore Flexibility Services Sheerness Zone

UK Power Networks (Operations) Limited

Reference: Sheerness Restore

Version 1.0
Date: May 2021

1 Sheerness Zone

UK Power Networks is seeking Expressions of Interest from Flexibility Services providers with existing distributed energy resources (DER) within the Sheerness Zone.

- **Network need:** Restore Services - support restoration of customer electricity supplies in the event of an unplanned fault by either exporting active power or not importing active power on instruction.
- **Service Dates:** The service is required between June and July 2021, with specific dates to be confirmed.
- **Capacity requirement:** up to 20MW
- **Payment type:** Utilisation Fee £/MWh
- **Zone Postcodes:** ME11 5, ME12 1, ME12 2, ME12 3, ME12 4. The indicative area is shown in the below map.



Figure 1: Sheerness zone geographic map

2 Technical Requirements

- **Minimum size:** 5MW from one or more DERs
- **Connection:** DERs are connected to the 6.6kV to 33kV network supplied from Sheerness Grid (see electrical schematic below)
- **Activation method:** Providers will be activated via a phone call from UK Power Networks' control room
- **Availability to respond:** Providers can be activated at any time of day during the service period
- **Post-fault response:** the DER may become disconnected from the distribution network following the fault. UK Power Networks will contact the Provider to arrange for re-connection and activation of the service

- **Response Time:** DERs should be able to deliver services within 30 minutes from when the site connection has been re-energised
- **Maximum Run Time:** Providers need to be able to sustain their services for at least 3 hours
- **Metering:** Half-hourly metering for validation and settlements

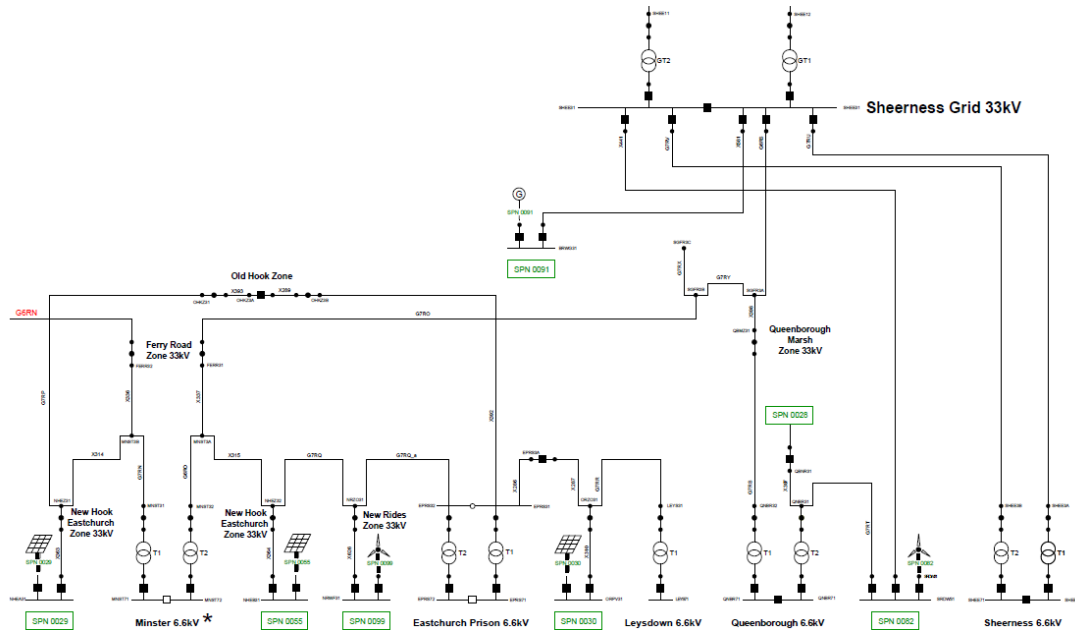


Figure 2: Sheerness Zone electrical schematic

3 How to express interest

If your solution satisfies the above requirements we would like to hear from you.

Please contact Sam Do at flexibility@ukpowernetworks.co.uk providing details of your solution against each of the technical requirements. Please include your MPAN so we can check your connection.

The deadline for sending us your expression of interest is **Thursday 3rd June at 13:00**.